

ARKEON MED is the new bed-head unit developed by Esse-Ci to meet the lighting and functional needs of **hospital or care facilities**. Thanks to the use of the latest generation components ARKEON MED guarantees efficiency and reliability and integrates perfectly into the spaces with a **simple and linear design, ideal for easy cleaning**. The control devices are **ergonomic and easily accessible** and the **great versatility** of the product makes it suitable for all healthcare applications.

☑ Features

- Direct emission
- Direct/indirect emission
- Emission for reading
- UGR<22
- IP 40

💡 Led

- 3000K/4000K
- >116 lm/W
- CRI>90
- Eye safety: RG0/RG1
- Mac Adams 3
- L80/B20 >80.000h

⌚ Specifications

- Built-in driver
- 24V IP67 keypad with 2m cable and anti-tear system, positioned on the right or left side
- 1 socket (2 poles+ground) 16A
- Asymmetrical polycarbonate lens for direct emission
- Satin diffuser UGR<22 for indirect emission

☐ Body

- Extruded aluminum with epoxy powder coating

🎨 Colors

- Matte white RAL 9003 - code B

★ Certifications

- CE Conformity
- Energy efficiency C
- 5 years warranty

⇄ Related products

- Groove Display (p.104)
- Groove IP54 (p. 301)
- Groove Display IP54 (p. 304)

📦 On request

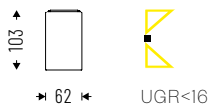
- DALI - code D*
- Emergency 1 hr - code EM
- Emergency 3 hrs - code EM3H*
- 2700K - code K27*
- 6500K - code K65*
- Human Centric Lighting*

* Where available



ARKEON MED HIGH OUTPUT CLD DOUBLE EMISSION

Device complete with 24V control panel with 2 buttons (reading light, nurse call), 2000mm cable and tear-proof system, 1 socket 2E+T 10/16A. Available in right (DX) or left (SX) socket versions.



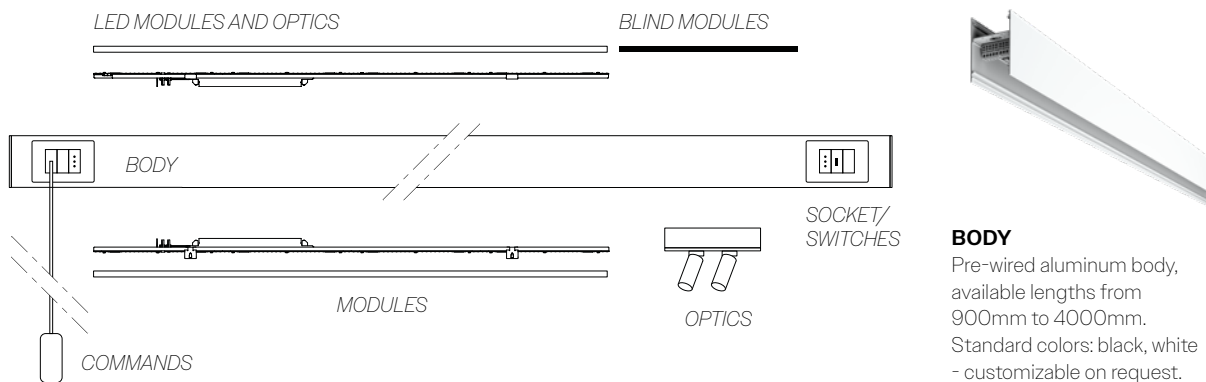
IP 40

Cod. 4000K	Led	Im	Lmm
46DI44K42PPIPDx	44W:14W+30W	4620	998
46DI44K42PPIPSx	44W:14W+30W	4620	998
46DI59K42PPIPDx	59W:19W+40W	6195	1278
46DI59K42PPIPSx	59W:19W+40W	6195	1278

Cod. 3000K	Led	Im	Lmm
46DI44K32PPIPDx	44W:14W+30W	4532	998
46DI44K32PPIPSx	44W:14W+30W	4532	998
46DI59K32PPIPDx	59W:19W+40W	6077	1278
46DI59K32PPIPSx	59W:19W+40W	6077	1278

ARKEON MED FREE

In its FREE version, ARKEON MED meets the most varied customization needs, offering countless configuration possibilities, adapting to different design and functional needs.



BODY
Pre-wired aluminum body, available lengths from 900mm to 4000mm. Standard colors: black, white - customizable on request.



BLIND MODULES
Blind module in painted roll adaptable to size on site.



DIRECT LED MODULE
Direct light LED module with asymmetrical optics, 3000K/4000K/HCL.



INDIRECT LED MODULE
Indirect light LED module with soft light diffuser 3000K/4000K/HCL (reading/general).



SPOT LED MODULE
Spot module with adjustable beam lens from 10° to 40°.



SOCKET/SWITCHES
Bypass socket 2P+E 10/16A - universal socket - USB socket switch - two-pole switch - push button.



COMMAND
Tie rod for assistance call.



COMMAND
24V control panel with 2/3 buttons (reading light, direct light, assistance call) with L 2000mm cable.



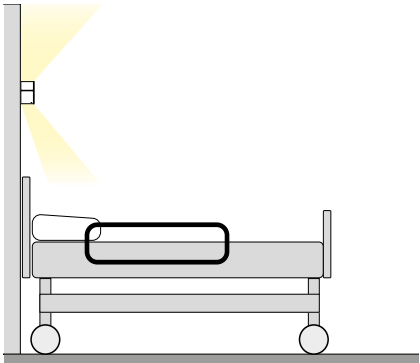
APP
BT system for management with free App.

TECHNICAL NOTES

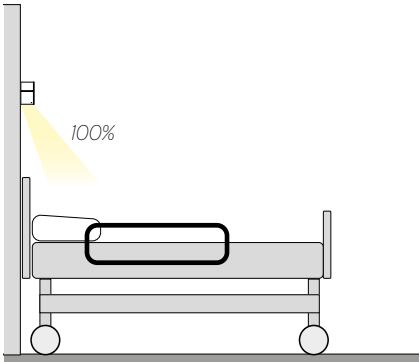
TYPE OF LIGHTING



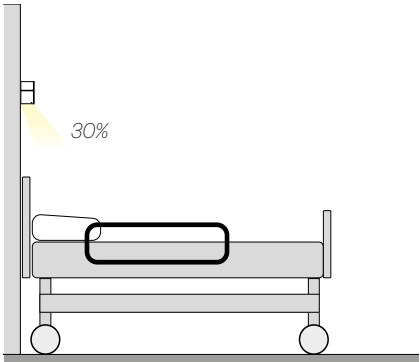
- ALL ON MODE**
- Indirect environmental emission
 - Direct asymmetric emission



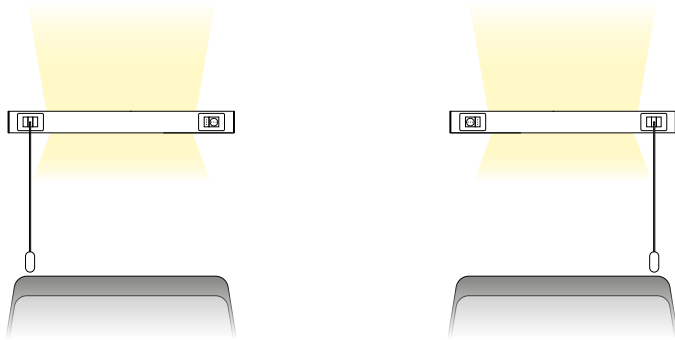
- VISIT MODE**
- Direct asymmetric emission



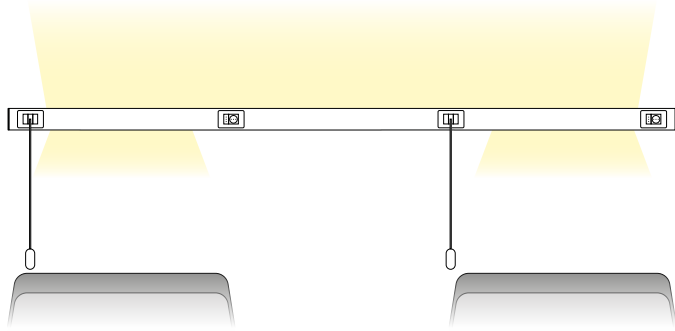
- READING MODE**
- Partial direct asymmetric emission



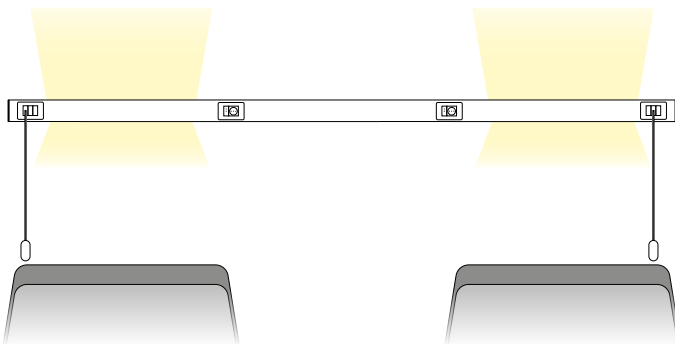
ARKEON MED FREE CONFIGURATION



- Configuration with distinct elements.



- Configuration with single element.
- 4m length.
- Seamless indirect emission.



- Configuration with single element.
- 4m length.
- Separate indirect emission.





24V control panel.



Universal socket
+ USB socket.

EMERGENCY_

REM TRACK	320	ID 13	
REM CEILING EVO	320	ID 13	
REM RECESSED	320	ID 13	