

# Environmental Product Declaration

Declaration holder

**Esse-Ci Srl**

Viale del Lavoro 25, 35010 Vigonza (PD) - Italy  
VAT Nr. 01875070284 / info@esse-ci.it

## DARE TO BE SUSTAINABLE

Esse-Ci is a leading company in the lighting industry, committed to creating innovative and sustainable solutions. The company combines modern and elegant design with high technical performance, offering products for a wide variety of applications, from offices and schools to museums and public infrastructure.

Environmental protection has always been at the heart of Esse-Ci's action plan. This philosophy translates into concrete actions that affect the entire life cycle of the products: from the choice of eco-compatible and recyclable materials, favoring those from responsible sources, to the constant

investment in research and development of innovative technologies to reduce energy consumption and CO2 emissions.

Esse-Ci products are designed to last a long time, reducing the need for frequent replacements and minimizing waste, and the company adopts optimized production processes to minimize environmental impact, with particular attention to the use of resources and energy waste. Through this approach, the company is committed to reducing the environmental impact of its products throughout their life cycle, because the future belongs to those who illuminate it with responsibility and sustainability.



RAW MATERIAL



RECYCLING



PRODUCTION



USAGE



DISTRIBUTION

To ensure maximum transparency and clearly communicate the environmental performance of our products, Esse-Ci uses Environmental Product Declarations (EPDs) that comply with international standards (EN ISO 14025). These declarations, based on the Life Cycle Assessment (LCA) methodology, provide detailed information on the environmental impact of our products throughout their entire life cycle.

## OUR STRATEGY FOR THE **\_** ENVIRONMENT

### ENERGY EFFICIENCY

We are committed to maximizing energy efficiency throughout the entire product life cycle by designing and manufacturing energy-efficient lighting fixtures.

### RESPONSIBLE PROCUREMENT

We adopt a responsible procurement policy, favoring materials with a low environmental impact, from sustainable sources, recycled and recyclable.

### ECO-FRIENDLY PRODUCTION PROCESSES

We optimize the use of energy resources, implement recycling practices and reduce waste emissions in our production processes

### TRANSPARENT COMMUNICATION

We are committed to communicating our objectives, the measures taken and the results achieved in a transparent manner.



Reference standards for the EPD System:

- **UNI ISO 14025:2006** - Environmental labels and declarations - Type III environmental declarations - Principles and procedures;
- **ISO 14040** - Environmental management - Life cycle assessment - Principles and framework;
- **ISO 14044** - Environmental management - Life cycle assessment - Requirements and guidelines.



### **39ORxxKyyzzM | MAKE **\_** MEDIUM**

Adjustable recessed installation.

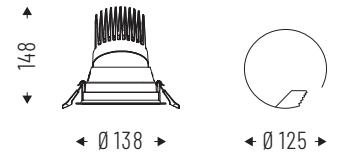
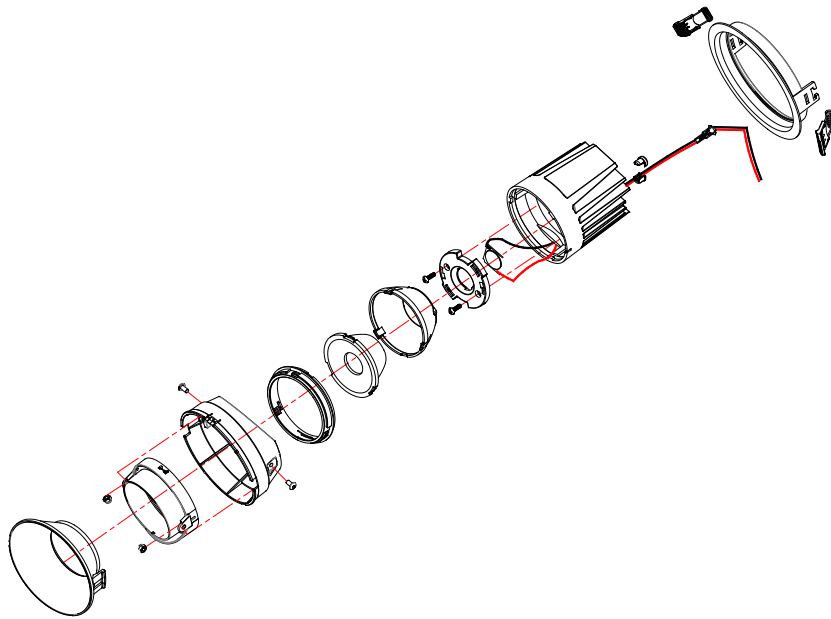
Polycarbonate lens ø 75 mm.

18W - 27W - 36W | 3000 - 4000K | Beam angles: 15°-24°-36°-50°

White RAL9003 - Black RAL9005

XX = WATT | YY = KELVIN | ZZ = BEAM ANGLE

IP44



**887,3 g**  
TOTAL WEIGHT

**871,3 g**  
RECYCLABLE WEIGHT

**98,20 %**  
RECOVERY RATE (%)

**TABLE OF PRODUCT RECOVERY RATIO**

ITEM	MAIN MATERIAL	WEIGHT	CHARACTER	PERCENT
1	Metal	407,2 g	Recyclable	45,9 %
2	Plastic	201,0 g	Recyclable	22,6 %
3	Cable	11,6 g	Recyclable	1,3 %
4	Glass (No Crt)	0	Recyclable	0 %
5	Packaging	521,5 g	Recyclable	28,3 %
6	Light Source	1,0 g	Unrecyclable	0,1 %
7	Painting	15,0 g	Unrecyclable	1,7 %
8	Others	0	Unrecyclable	0 %