

HALL LED CEILING EVO

ACCESSORIES

SUSPENSION



28AA16SE

Wire suspension kit for SMALL version. Cable length 3000mm.



28AA16ME

Wire suspension kit for MEDIUM version. Cable length 3000mm.



28AA16LE

Wire suspension kit for LARGE version. Cable length 3000mm.

ANTI-GLARE RING

Ring extensions allowing to concentrate the beam by hiding the light source. They perfectly fit in art galleries, museums and retail environments to enhance the subject with accent lighting with no glare.



28AA60AGW: Mini version

White RAL 9003 ring.

28AA60AGWBK: Mini version

White RAL 9003 ring with black RAL 9005 interior.

28AA60AGBK: Mini version

Black RAL 9005 ring.



28AA80SAGW: Small version

White RAL 9003 ring.

28AA80SAGWBK: Small version

White RAL 9003 ring with black RAL 9005 interior.

28AA80SAGBK: Small version

Black RAL 9005 ring.



28AA110MAGW: Medium version

White RAL 9003 ring.

28AA110MAGWBK: Medium version

White RAL 9003 ring with black RAL 9005 interior.

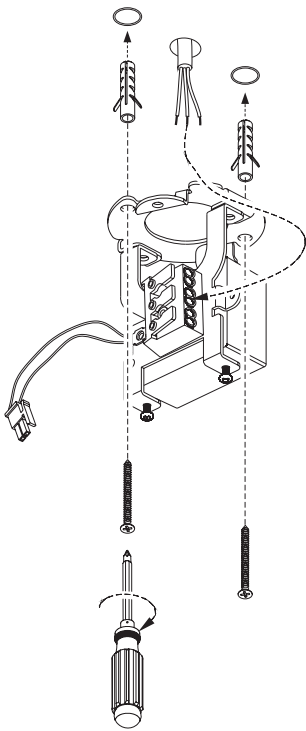
28AA110MAGBK: Medium version

Black RAL 9005 ring.

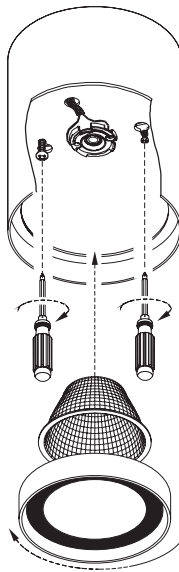
HALL LED CEILING EVO

TECHNICAL NOTE

1



2



3

