

# HALL LED GROUND

ID 38

The **HALL LED family expands with the GROUND version**, suitable for recessed ground installation to illuminate passageways or green areas.

## ☑ Features

- IP 67
- IK 10
- -20°C/+40°C
- 20 KN

## 💡 Led

- 3000K
- >115 lm/W
- CRI >80
- Eye safety: RGO/RGI
- Mac Adams 3
- L80/B10 >50.000h

## 🕒 Specifications

- CoB LED technology
- MINI AL: polymethacrylate lens, beam angles: 8°-24°-36°
- MINI lx-2x-4x: frosted glass with single, double, quadruple emission. MEDIUM AL: polymethacrylate lens, beam 25°-45°-60°-80°
- MEDIUM HA: intensive asymmetrical lens with internal aluminum reflector
- MEDIUM WA: wide beam asymmetrical lens with internal aluminum reflector

## 📦 Body

- Aluminum with epoxy powder coating

## 🎨 Colors

- Stainless steel

## ★ Certifications

- CE Conformity
- Energy efficiency F - MINI version
- Energy efficiency D - MEDIUM version
- 5 years warranty

## 📄 On request

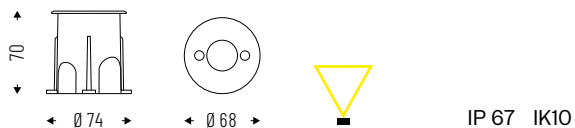
- DALI - code D\*
- 4000K - code K4\*

*\* Where available*



## HALL LED GROUND \_\_\_\_\_ MINI ACCENT LIGHT

Internal polymetacrilate lens.  
Beam angle: 8°-24°-36°. Cut-off>30°.



IP 67 IK10

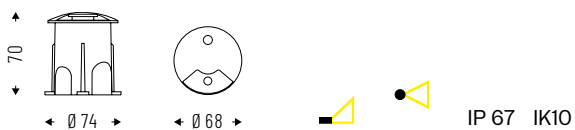


*Remote driver as accessory.  
Fixtures supplied with 5m cable.*

Cod.	Led	lm	Ømm
38AL3K38T67	3W 8°	189	68
38AL3K324T67	3W 24°	189	68
38AL3K336T67	3W 36°	189	68

## HALL LED GROUND \_\_\_\_\_ MINI 1x

Satin glass with single emission mask.  
Cut-off>30°.



IP 67 IK10

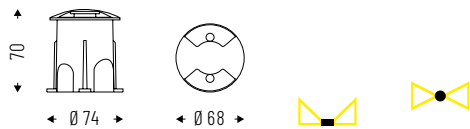


*Remote driver as accessory.  
Fixtures supplied with 5m cable.*

Cod.	Led	lm	Ømm
38HS3K3T67	3W	189	68

## HALL LED GROUND\_\_\_MINI 2x

Satin glass with double emission mask.  
Cut-off>30°.



IP 67 IK10

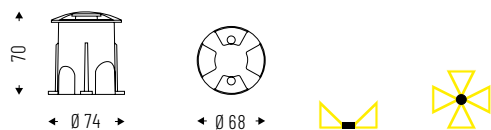


*Remote driver as accessory.  
Fixtures supplied with 5m cable.*

Cod.	Led	lm	Ømm
38HD3K3T67	3W	189	68

## HALL LED GROUND\_\_\_MINI 4x

Satin glass with quadruple emission mask.  
Cut-off>30°.



IP 67 IK10

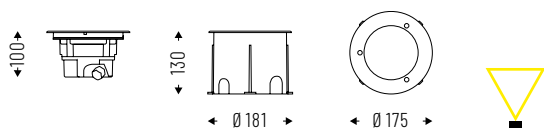


*Remote driver as accessory.  
Fixtures supplied with 5m cable.*

Cod.	Led	lm	Ømm
38HQ3K3T67	3W	189	68

## HALL LED GROUND\_\_\_MEDIUM ACCENT LIGHT

Internal polymetacrilate lens.  
Beam angles: 25°-45°-60°-80°. Cut-off>30°.



IP 67 IK10



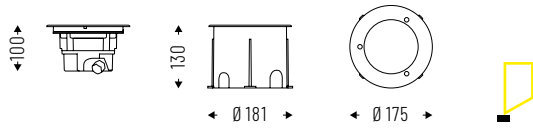
*Built-in driver.*

Cod.	Led	lm	Ømm
38ALI3K325TM67	13W 25°	1495	175
38ALI3K345TM67	13W 45°	1495	175
38ALI3K360TM67	13W 60°	1495	175
38ALI3K380TM67	13W 80°	1495	175

## HALL LED GROUND \_\_\_\_\_ MEDIUM HIGH WALL WASHER

Internal polymetacrilate lens.

Beam angles: 25°-45°-60°-80°. Cut-off>30°.



IP 67 IK10



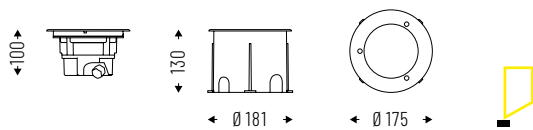
Cod.	Led	lm	Ømm
38HA13K3TM67	13W	1495	175

*Built-in driver.*

## HALL LED GROUND \_\_\_\_\_ MEDIUM WIDE WALL WASHER

Internal polymetacrilate lens.

Beam angles: 25°-45°-60°-80°. Cut-off>30°.



IP 67 IK10



Cod.	Led	lm	Ømm
38WA13K3TM67	13W	1495	175

*Built-in driver.*

## ACCESSORIES

### FOR HALL LED GROUND MINI



Constant current LED driver for single connection..

**38LC4700IS**



Constant current LED driver for 2 fixtures.

**38LC12700IS**



Constant current LED driver for 4 fixtures.

**38LC17700IS**

### FOR HALL LED GROUND MEDIUM



Honeycomb optic.

**38AANDHG**



Micro-engraved glass.

**38AASLHG**

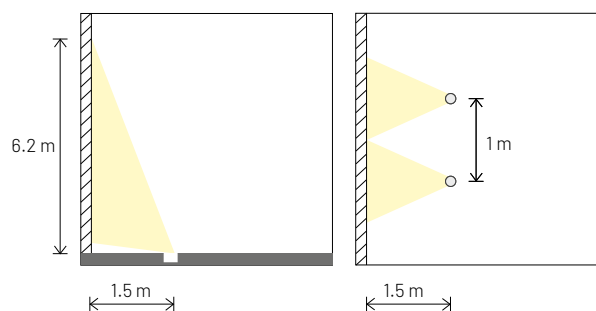
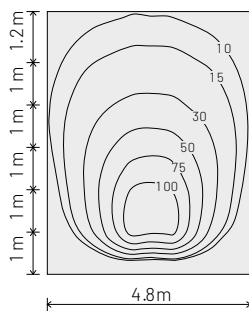


Frosted glass.

**38AAGMHG**

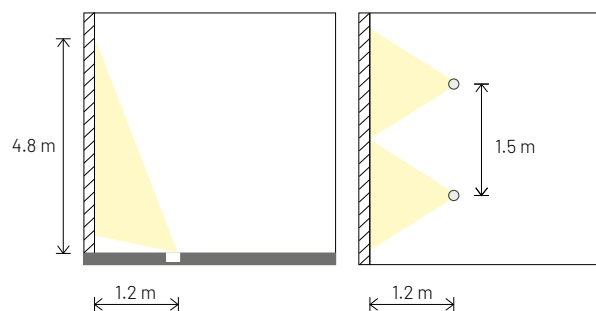
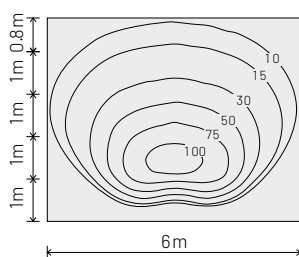
## TECHNICAL NOTES

### HIGH WALL WASHER



*Recommended installation distance.*

### WIDE WALL WASHER



*Recommended installation distance.*