

SCOUT is an architectural element with **refined style** able to offer a new solution for the outdoor world, with a look always attentive to aesthetic and a **design focused on innovation and new technologies**. What makes SCOUT aesthetically interesting is the peculiarity of the **diffuser: totally invisible when turned off and evenly lit when turned on**, thanks to micro-incisions that are affected by the light source, ensuring **high visual comfort** and **uniform outwards emission**.

☑ Features

- Direct emission
- IP 66
- IK 06
- -20°C+40°C

💡 Led

- 3000K
- >100lm/W
- CRI>90
- Eye safety: RGO
- Mac Adams 3
- L80/B10 >50.000h

🕒 Specifications

- Built-in driver
- Backlight plexiglass diffuser
- Backlight LGP (Light Guide Panel)

📦 Body

- Die-cast aluminum with epoxy powder coating

🎨 Colors

- White RAL 9003 wrinkled - code W
- Black RAL 9005 wrinkled - code BK
- Anthracite grey - code GA
- Corten bronze - code BC

☆ Certifications

- CE Conformity
- Energy efficiency F
- 5 years warranty

📄 On request

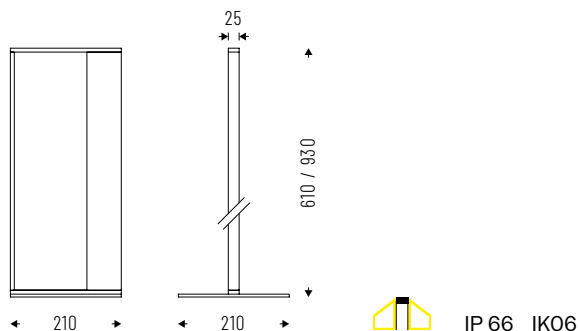
- 2700K - code K27*
- 4000K - code K4*
- 5000K - code K5*

* Where available



SCOUT

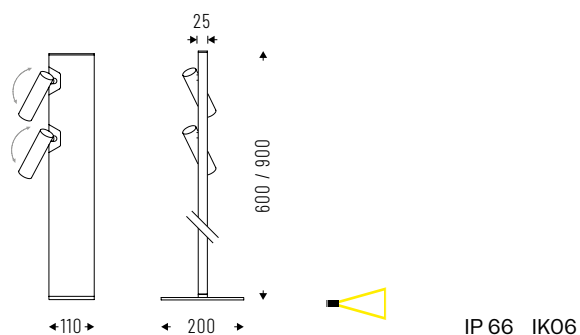
LGP (Light Guide Panel) diffuser in backlight plexiglass with microncisions, designed to ensure uniform emission of light outwards.



Cod. 3000K	Led	lm	Lmm
91PC9K366	9W	180	610
91PC13K3L66	13W	260	930

SCOUT SPOT

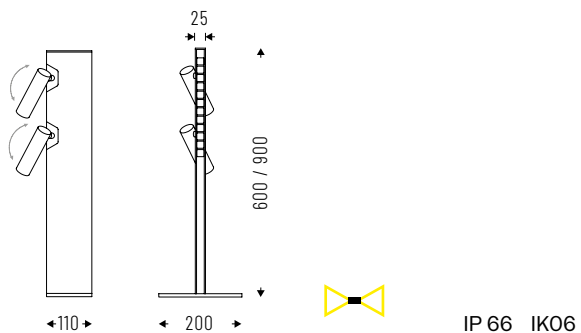
Double adjustable spot, beam angle: 35°.



Cod. 3000K	Led	lm	Lmm
91AA23K366	2x3W	374	600
91AA23K3L66	2x3W	374	900

SCOUT SPOT DOUBLE EMISSION

Double spot with 35° beam angle and asymmetrical ground oriented back emission.



Cod. 3000K	Led	lm	Lmm
91DI3S23K366	3W+2x3W	60+374	600
91DI5S23K3L66	5W+2x3W	100+374	900